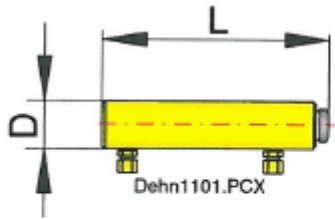


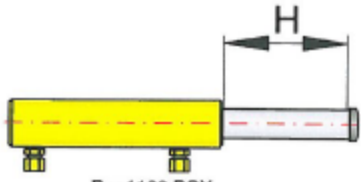
Microtunneling Hydraulic interjack cylinders 700mm stroke.

We supply interjack cylinders with 350 & 700mm stroke.

For Sale & For Rent



Diameter	D	140	mm
Length	L	985	mm
Weight		146	kg



Diameter of interjack cylinder piston / rode		140 / 110	mm
Interjack cylinder stroke	H	700	mm
Max. pressure per cylinder	extend/retract	450	bar
Jacking force per cylinder	extend	850	kN

