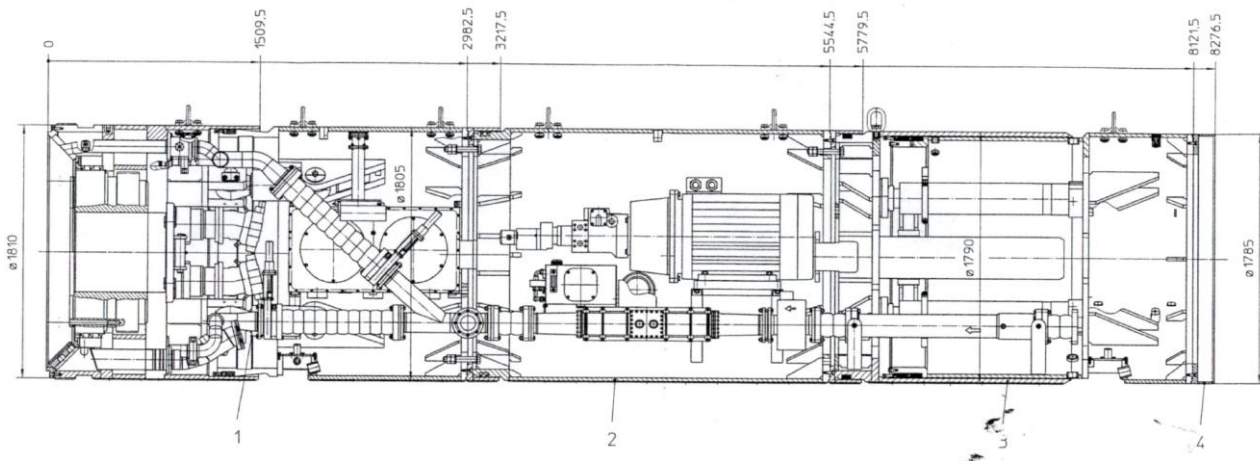


Microtunneling machine AVN1500TB Herrenknecht, fully overhauled with warranty

There are for each machine cutting wheels available or can be build as per customers request. The systems are partially only sold as complete set.

Other items for microtunnelling equipments are available as well and can be prioritized upon request.

Can also be supplied with new extension kit and/or hydraulic powerpack for behind the machine, build as per the project requirements.



For Sale & For Rent

Shield diameter	1810	mm
Shield length	3,2	m
Main drive max. torque	316	KNm
Cutting wheel max. revolution	4.46	RPM
Number steering cylinders	4	Pcs
Capacity steering cylinders	1000	KN
Stroke steering cylinders	60	mm
Bypass diameter	125	mm
Trailing can	Y	Y/N
Trailing can length	3	m
Power pack installed in trailing can	Y	Y/N
Capacity power pack	132	kW